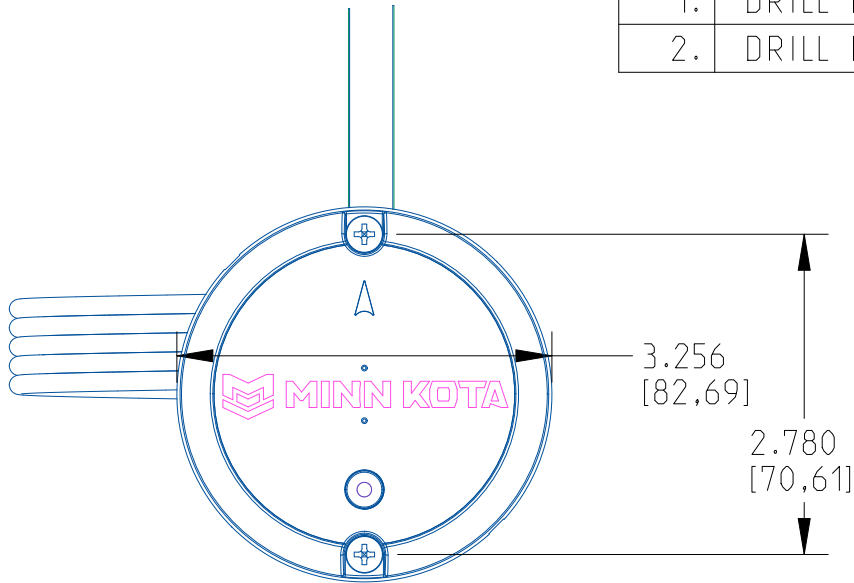
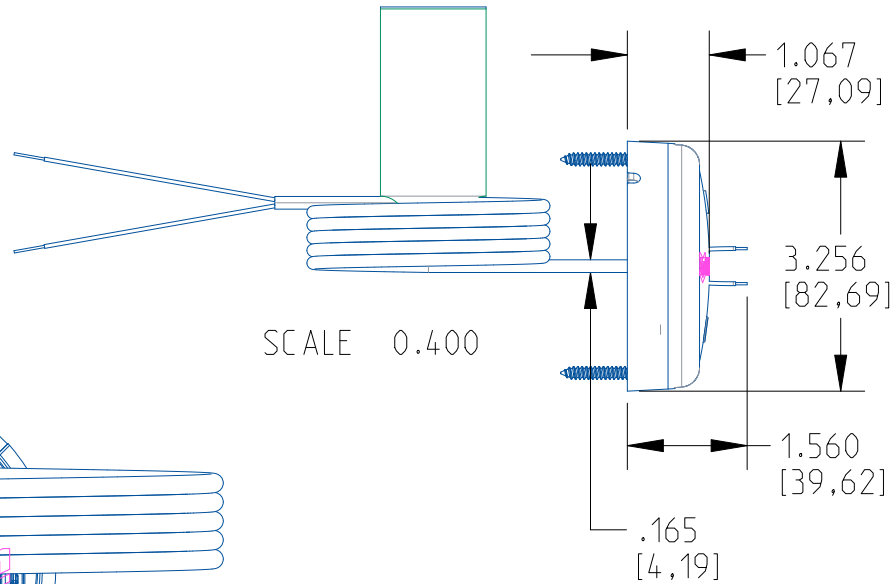


NOTES

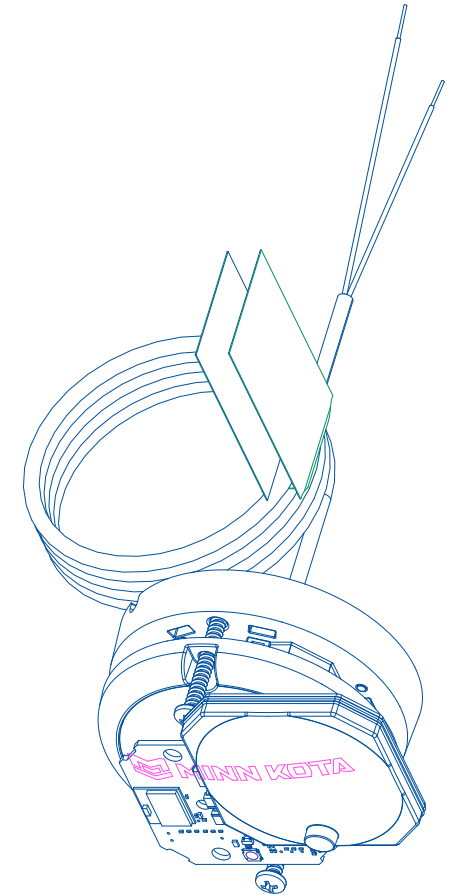
1. DRILL BIT SIZE NEEDED FOR THE WIRE HOLE IS 1/4"
2. DRILL BIT SIZE NEEDED FOR MOUNTING SCREWS IS 9/64"



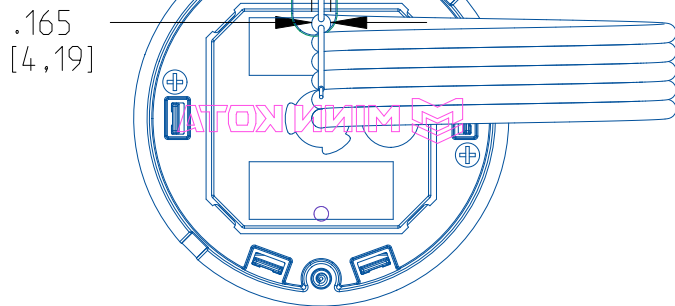
SCALE 0.600



SCALE 0.400



SCALE 0.500



SCALE 0.600

CAUTION: ALWAYS WEAR SAFETY GLASSES AND GLOVES. DISCONNECT ALL POWER BEFORE BEGINNING ANY WORK OR MAINTENANCE. JOHNSON OUTDOORS INC. IS NOT RESPONSIBLE FOR ANY DAMAGE DUE TO IMPROPER RIGGING OR INSTALLATION. IF YOU DO NOT HAVE THE SKILLS, EXPERIENCE AND TOOLS TO PERFORM THE FOLLOWING MAINTENANCE AND REPAIRS, WE RECOMMEND YOU SEEK THE HELP OF AN AUTHORIZED SERVICE CENTER. OR CONTACT OUR TECHNICAL SERVICE DEPARTMENT BY DIALING 800-227-6433.

UNCONTROLLED DOCUMENT

JOHNSON OUTDOORS
MARINE ELECTRONICS, INC.

ITEM NAME: HEADING SENSOR ASSEMBLY

ITEM NO: 2996400

U/M:
IN.

A
SIZE