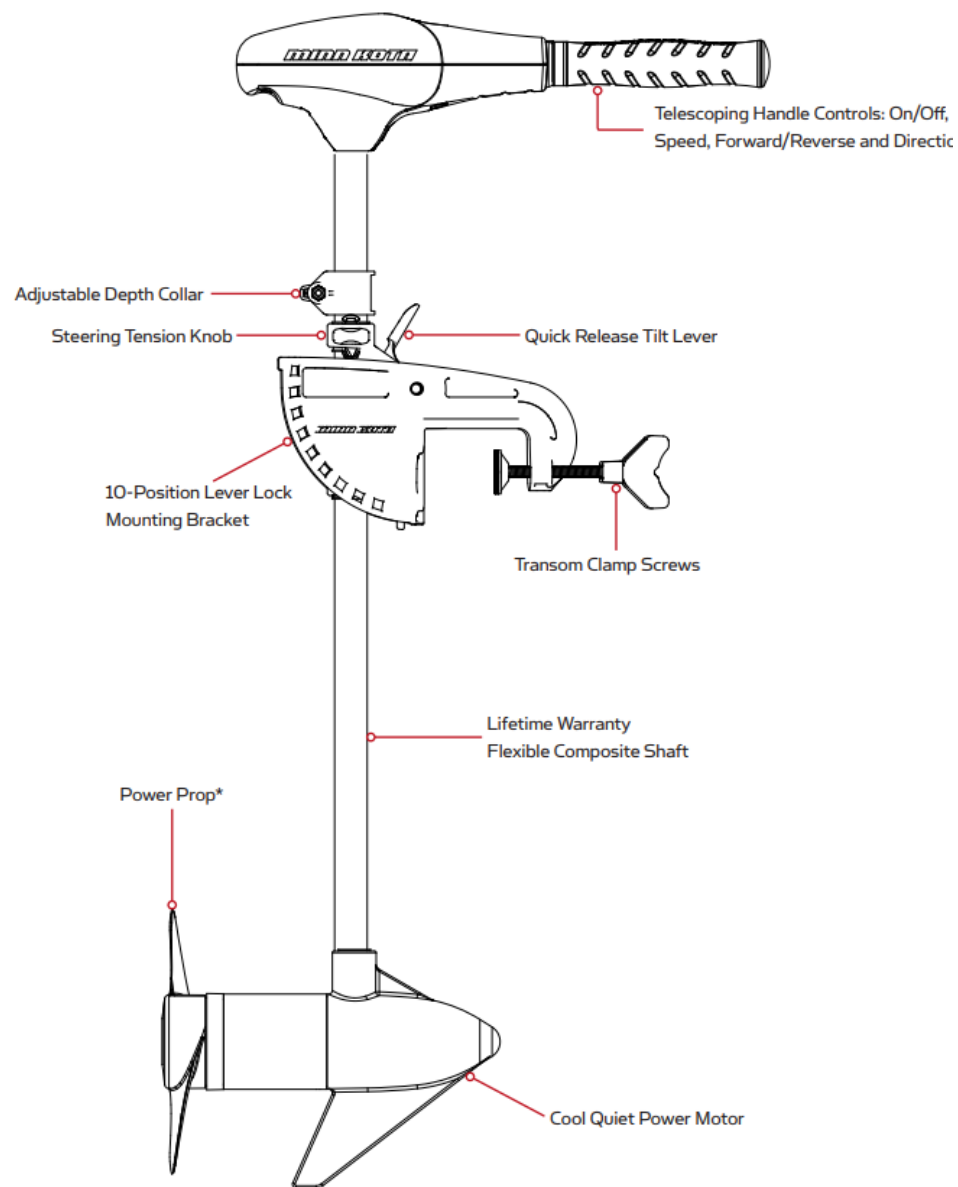




## Motor Anatomy & Function

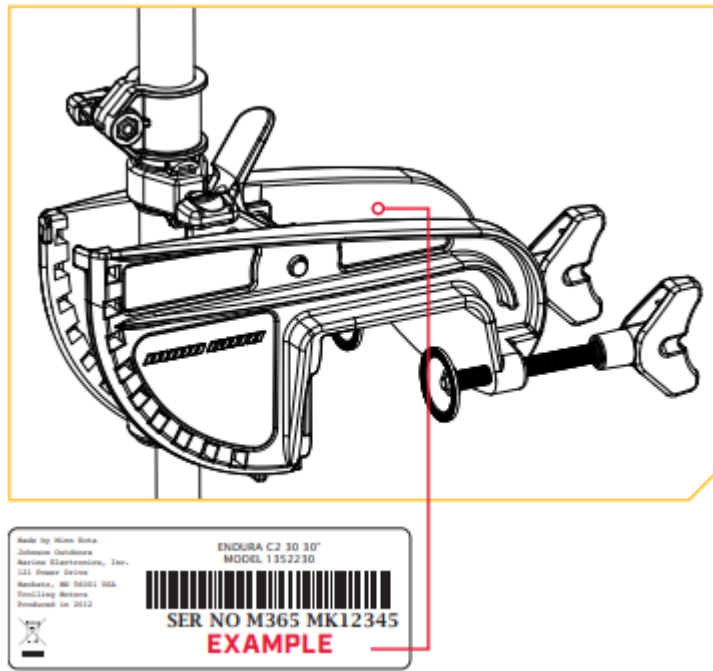
### Endura – Formerly Endura C2

- 📌 The Endura is Freshwater only
- 📌 Hand Tiller option only – Telescopic Handle
- 📌 2-year warranty & Lifetime warranty on the composite shaft.
- 📌 All models are 5 speeds & 12 volts only.
- 📌 No foot pedal option, no remote option, and no built-in sonar options.
- 📌 Ships with handle not installed, the consumer must install the handle
- 📌 The Endura is not intended to be a primary propulsion motor.



## Endura C2 Serial Number Location –

The serial number is located on the top of the transom bracket.

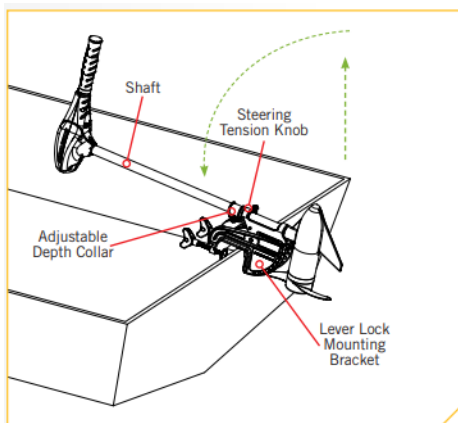


## Stow & Deploy –

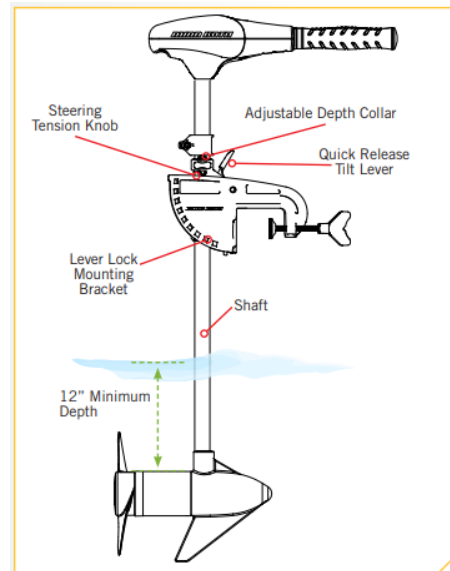
👉 Stowing – Press and hold the tilt lever, tilt the motor into the boat.

👉 Deploying – Press and hold the tilt lever, tilt the motor vertically into the water.

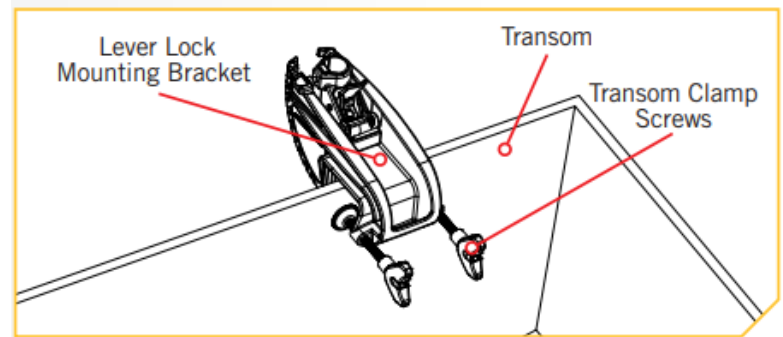
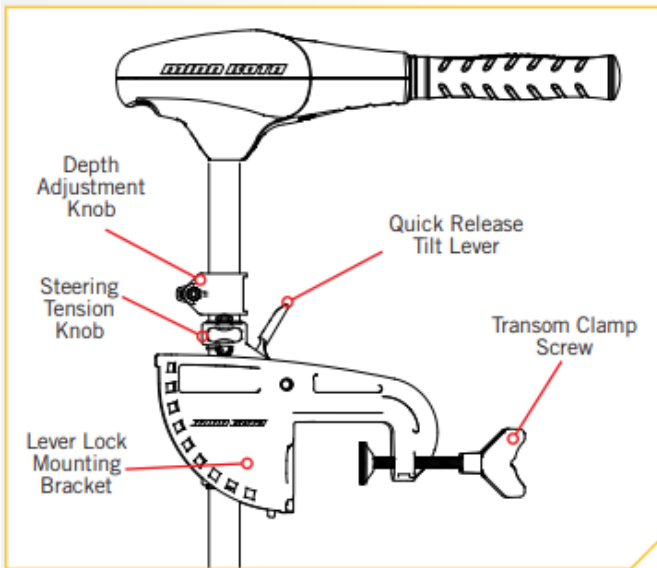
Stowed Position



Deployed Position



## Endura C2 Mount Features –



- 📖 Adjustable Depth Collar – This is used to adjust the height of the motor vertically. Loosen the steering tension knob and depth collar knob until the shaft slides freely and then raise or lower the motor to the desired depth.
- 📖 Steering Tension Knob - Adjusting the Steering Tension knob provides enough tension to all the motor to turn freely or you can tighten the knob to place the motor in a preset position.
- 📖 Tilt Lever - While pressing down and holding the Tilt Lever you can grab the control head and tilt the motor forward or backward to the desired position.
- 📖 Transom Clamp Screws – The bracket sits over the top of the boat transom. By tightening the clamp screws (by hand) it will clamp to the transom and hold the motor to the boat. Loosen clamp screws to remove the motor from the transom.
- 📖 Lever Lock Bracket – 10- Position bracket

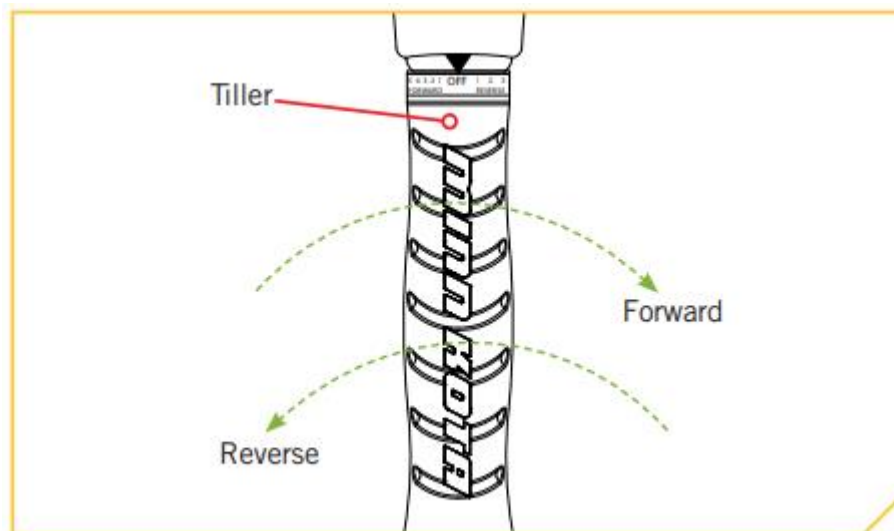
## Endura C2 Hand Control Features –

📌 Telescopic Handle –  
6” telescoping tiller handle.

📌 Steering –  
With a hand-controlled model to steer the motor left or right you will just push the handle to the left or right to change the position of the lower unit.

📌 Controlling Speed –

This motor offers variable forward and reverse speeds. The speed control may be operated in either direction, forward or reverse. Turn the handle counterclockwise from [OFF] to increase reverse speed and clockwise from [OFF] to increase forward speed. Speed decreases as you approach Off.



## Endura C2 Handle Installation –

📌 Once the handle is installed, the installation is permanent.

