

Anywhere. Anytime.

INSTALLATION INSTRUCTIONS FOR COMPOSITE SCISSORS ADAPTER PLATE RTA-20 & MKA-24

NOTE: This Adapter kit will only work when used with MKA-23, or RTA-19 Composite Quick Release Plates.

1. Installation of Base Plate onto motor from instructions on MKA-23 or RTA-19 Composite Quick Release must be done before continuing.

2. Locate (4) Threaded Plates (C) and Adapter (B). The under side of adapter plate has 4 machined slots. Insert the threaded plates into the slots using a hammer to tap in place. If threaded plates do not stay into slots when adapter is turned upside down, use tape to hold threaded plates in place. This will prevent the threaded plates from falling out until installation is complete.

3. If the boat previously had a scissors style motor mounted to boat, skip step 4 and continue to step 5.

4. With the motor in the fully deployed (lower unit in water) position, set the motor on the bow of the boat and check for proper clearance to the gunnel of the boat. (The motor as it is lowered into the water or raised into the boat, must not encounter any obstructions.) Mark the side and rear edges of Base Plate MKA-23 or RTA-19 onto the boat. Remove motor and position adapter plate (B) onto the marks on boat. One end of adapter plate (B) has 6 countersunk holes and other end has 4 countersunk holes. Make sure to rotate adapter plate so the 6 countersunk holes are nearest the motor shaft when motor is deployed. Adapter plate (B) has two mounting hole configurations in it. 1 set is 3" spacing and other set is 4" spacing. These two mounting hole sets cover the majority of all scissors style mounts on the market. This plate has both sets on it for boats that have already had a scissors style mount previously mounted. Determine which set works best for your application. Mark the 6 mounting holes you will be using onto the boat. Disregard the other 6 holes, as they will not be used. Drill through the boat using a 17/64 drill bit.

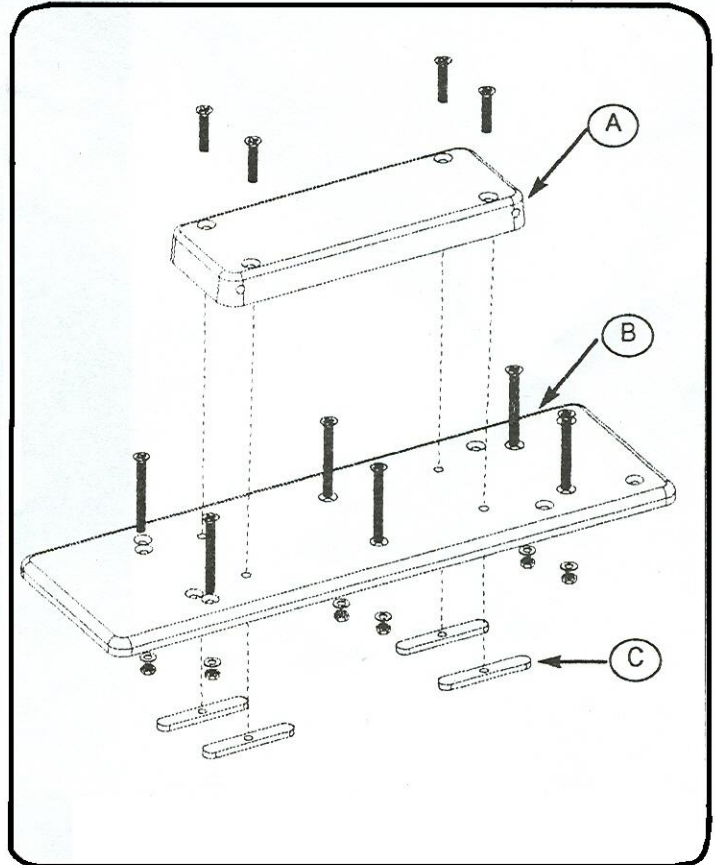
5. Bolt adapter plate down to the boat using the holes drilled in step 4 or from holes in boat from previously mounted scissors style motor. Using [6] 1/4 x 2 1/2 flat head screws, [6] flat washers, [6] lock nuts.

6. Attach Mounting Puck (A) from MKA-23 or RTA-19 onto adapter plate using the (4) threaded plates and [4] 1/4 x 1 3/8 flat head screws. We recommend using Loctite on these screws.

7. Motor can now be placed onto mounting puck/adapter plate, and secured with handle assembly and hair clip pin.

This kit contains:

- [1] Adapter Plate [B]
- [4] Threaded Plates [C]
- [4] 1/4" x 1 3/8" Flat Head Screws
- [6] 1/4" Flat Washers
- [6] 1/4" Lock Nuts
- [6] 1/4 x 2 1/2" Flat Head Screws



WARNING: This product contains chemical(s) known to the state of California to cause cancer and/or reproductive toxicity.