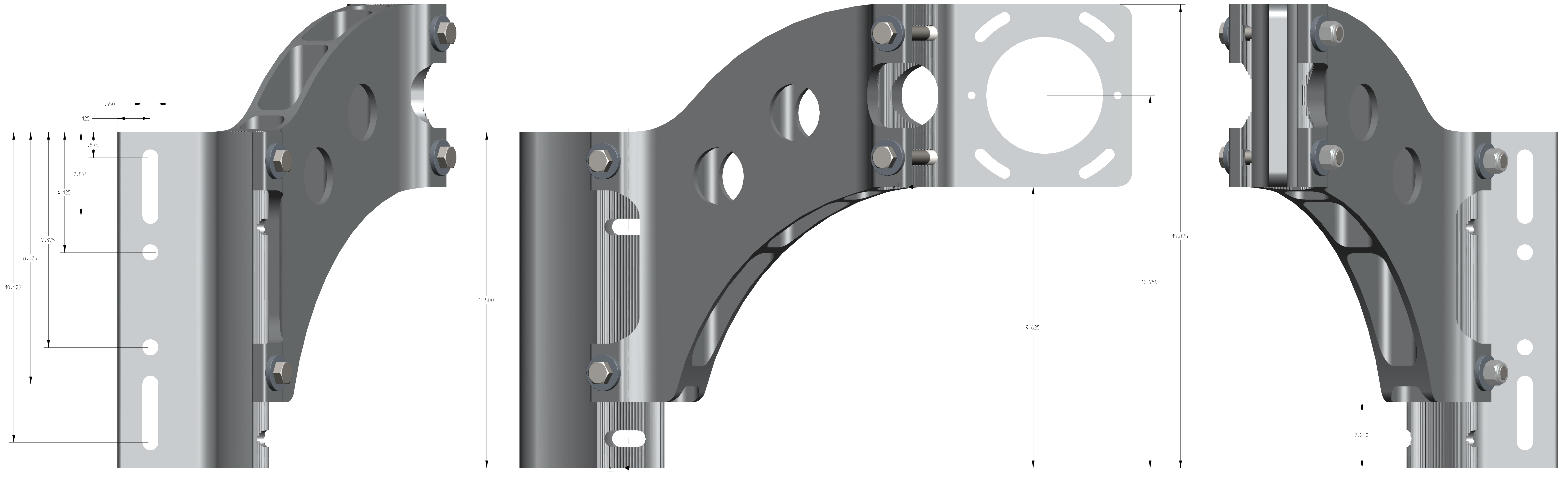
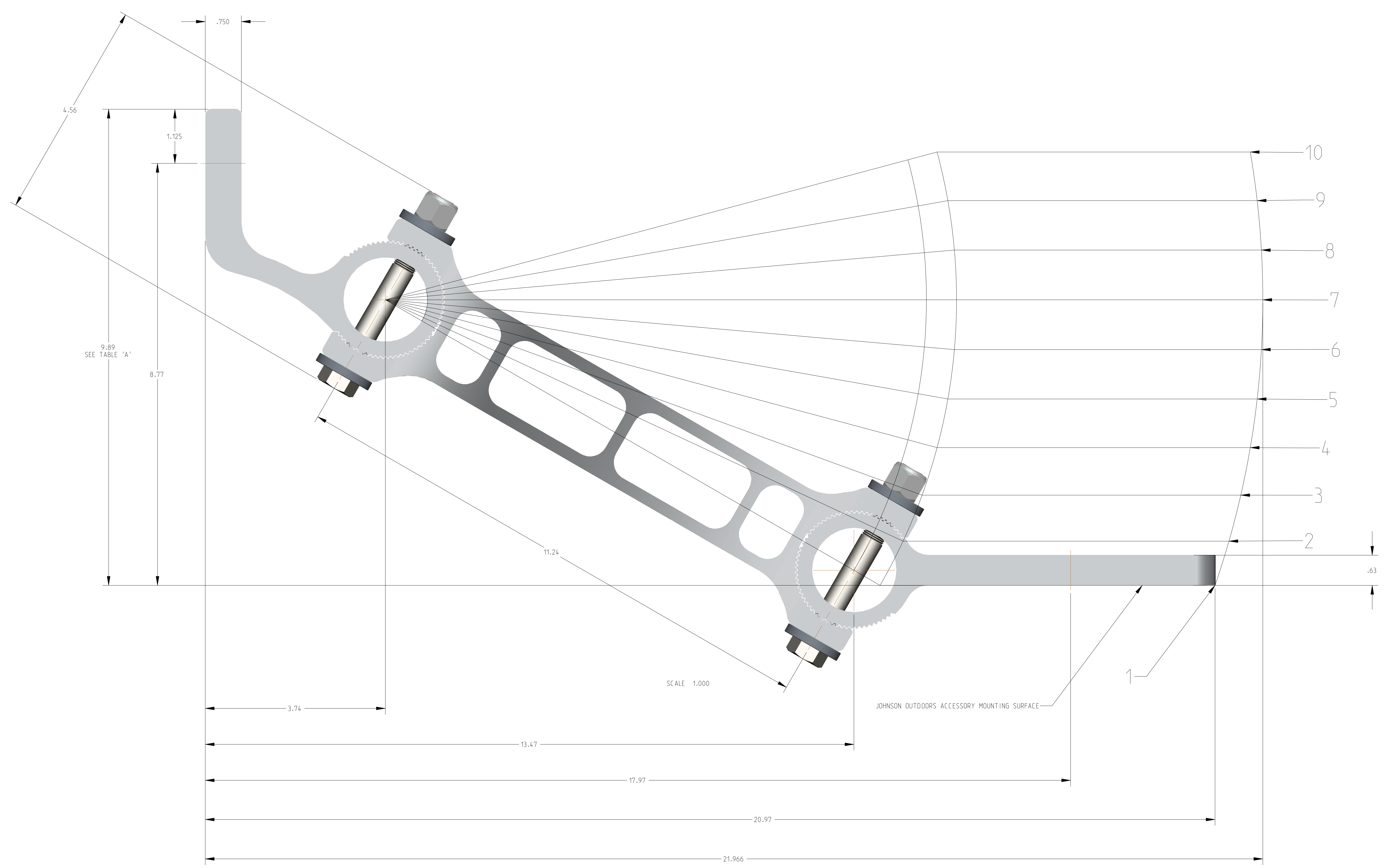


REV/ECN NO	REVISIONS DESCRIPTION	BY	DATE
1	ASSIGN DIMENSIONS FOR CUSTOMER SERVICE	GPB	3.3.13

NOTES:
 1. THIS DRAWING IS FOR REFERENTIAL PURPOSES ONLY, AND SHOULD NOT BE CONSIDERED AS AN ENGINEERING RESOURCE.
 2. DIMENSIONAL VARIATIONS MAY OCCUR RESULTING FROM TYPICAL MANUFACTURING PROCESSES, AND JOHNSON OUTDOORS IS NOT LIABLE FOR ANY VARIATIONS FOUND THEREIN.
 3. ILLUSTRATION SHOWN IS FOR A STARBOARD MOUNTED CONFIGURATION OF A JACK PLATE ADAPTER BRACKET. (910300) THE JACK PLATE ADAPTER BRACKET IS SYMMETRICAL IN DESIGN, AND CAN BE MOUNTED ON THE PORT SIDE IN THE SAME FASHION. ALL DIMENSIONS SHOWN HERE WILL ALSO APPLY IN A PORT MOUNTED CONFIGURATION.
 4. WEIGHT AS SHOWN IS APPROXIMATELY 16.5 LBS



SCALE 0.750



SET-BACK POSITION	APPROXIMATE DIMENSION
10	4.0"
9	2.0"
8	3.0"
7	4.0"
6	5.0"
5	6.0"
4	7.0"
3	8.0"
2	9.0"
1	10.0"

JOHNSON OUTDOORS MARINE ELECTRONICS, INC.
 PART NAME: JACK PLATE ADAPTER BRACKET REF DRAWING - 910300
 DRAWN BY: DATE: SCALE: 0.3:1
 TOLERANCES: UNLESS OTHERWISE SPECIFIED DIMENSIONS ARE IN INCHES AND DECIMALS THEREOF. DIMENSIONS ARE TO BE TAKEN TO THE CENTER UNLESS OTHERWISE NOTED. DIMENSIONS ARE TO BE TAKEN TO THE CENTER UNLESS OTHERWISE NOTED. DIMENSIONS ARE TO BE TAKEN TO THE CENTER UNLESS OTHERWISE NOTED.
 CONFIDENTIAL PROPERTY: This document is the confidential property of Johnson Outdoors, Inc. and is intended solely for the use of the customer. It is not to be distributed, copied, or otherwise used without the express written consent of Johnson Outdoors, Inc. All rights are reserved. No part of this document may be reproduced without the express written consent of Johnson Outdoors, Inc.
 QUALITY REQUIREMENTS: All parts must be manufactured to the highest quality standards. All parts must be inspected and approved by the quality control department before being shipped to the customer.
 REUSE AND REACH COMPLIANCE: This part complies with REACH and RoHS. It is free of hazardous substances. For more information, please visit www.johnsonoutdoors.com.
 MATERIAL: ALUMINUM
 SHEET 1 OF 1