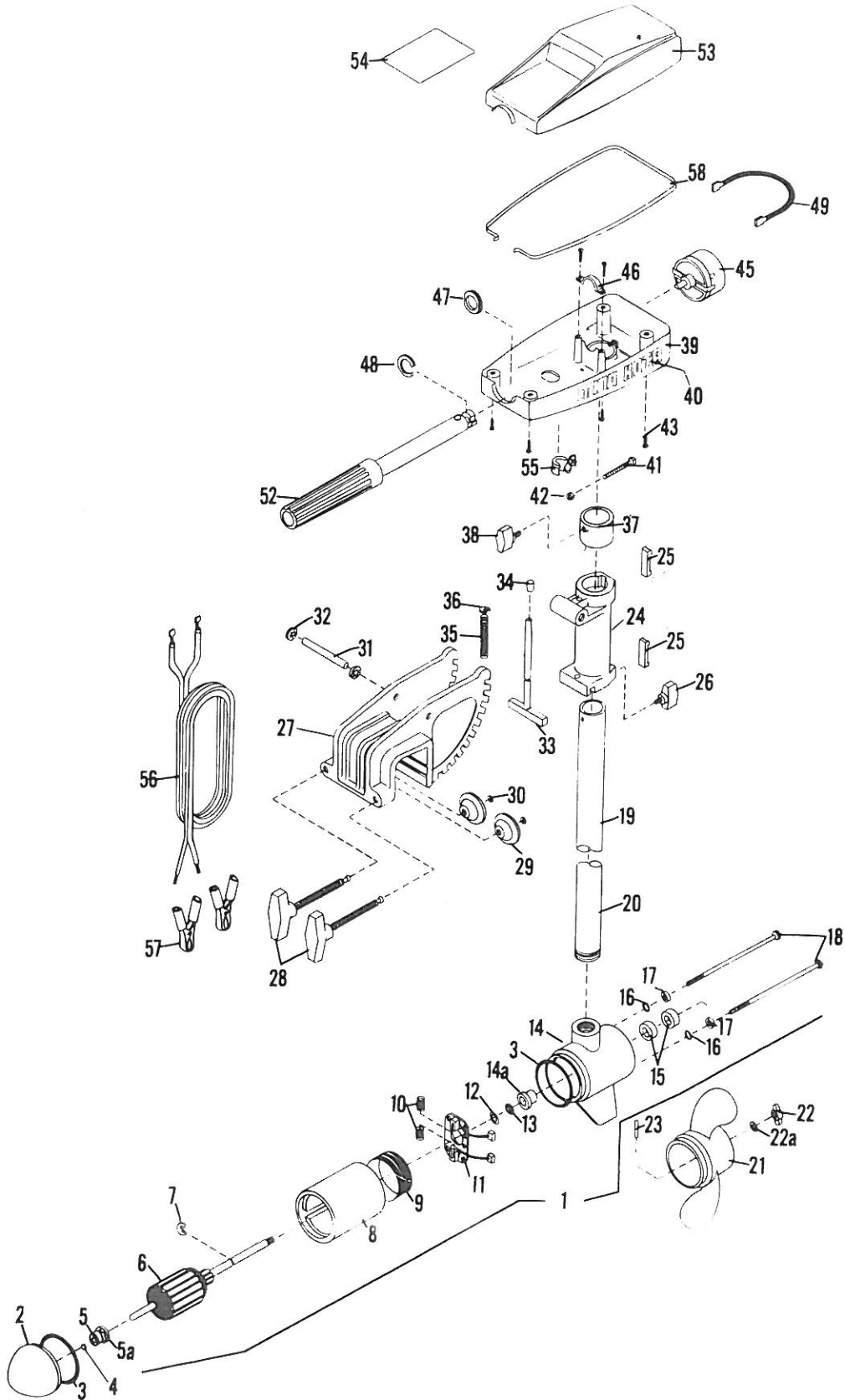


PARTS DIAGRAM

35M



# REPLACEMENT PARTS

Replacement parts may be ordered from Parts Department, Minn Kota, Johnson Fishing, Inc., 1531 Madison Ave., Mankato, Minnesota 56001, or in Canada, from Parts Department, Minn Kota, Johnson Fishing, Inc., Box 82, Orillia, Ontario, Canada. Be sure to specify the model number and serial number of your motor and the part number(s), as shown on the following list. Minimum charge \$2.00. Payment may be by cash, check, MasterCard or VISA card. Please add \$2.00 for postage and handling on all orders.

Item No.	Part No.	Description	Item No.	Part No.	Description	Item No.	Part No.	Description
1	203-7000	Motor Assembly 35M (complete)	17	401-172	Thru Bolt Washer (2 req'd.)	36	201-3000	E-Ring
2	401-020	Front End Bell w/401-600 Bearing	18	403-351	Thru Bolt (2 req'd.)	37	203-1501	Collar
3	401-460	O-Ring (2 req'd.)	19	203-2000	Tube—30"	38	201-1360	Depth Collar Set Screw
4	401-050	Thrust Disc	20	203-2010	Tube—36" (optional)	39	206-2520	Control Box
5	401-600	Bearing	21	203-1151	Propeller	40	206-6610	Decal—Control Box (2 req'd.)
5A	405-302	Bearing Retainer	22	203-3110	Propeller Nut	41	203-3400	Control Box Screw
6	403-204	Armature	22A	201-1720	Propeller Washer	42	201-3110	Hex Nut
7	401-300	E-Ring	23	208-2600	Shear Pin	43	201-2100	Cover Screw (6 req'd.)
8	403-251	Center Section w/ Magnets	24	203-1820	Hinge	45	203-4020	Switch—4-Speed
9	403-242	Speed Coils	25	203-2800	Tension Block (2 req'd.)	46	201-0030	Bearing Cap (handle)
10	401-080	Brush Spring (2 req'd.)	26	203-1320	Steering Tension Set Screw	47	201-0010	Handle Bearing (outer)
11	401-401	Brush Plate Assembly	27	203-1910	Bracket	48	201-0000	Handle Bearing (inner)
12	401-170	Steel Washer	28	201-1370	Clamp Screw (2 req'd.)	49	202-0310	Connecting Wire
13	401-171	Thrust Washer	29	201-1710	Clamp Screw Washer (2 req'd.)	52	203-0990	Handle Assembly
14	403-031	Rear End Bell	30	201-3010	Retaining Ring (2 req'd.)	53	206-0210	Control Box Cover
14A	401-000	Shoulder Bushing	31	201-0500	Hinge Pin	54	203-5630	Decal—Cover 35M
15	401-461	Seal (2 req'd.)	32	201-3100	Speed Nut (2 req'd.)	55	201-2910	Strain Relief
16	401-462	Thru Bolt O-Ring (2 req'd.)	33	203-3600	T-Bar	56	202-0600	Lead Wire (includes Battery Clips and Terminals)
			34	201-0100	Till Lock Button	57	201-0700	Battery Clips (2 req'd.)
			35	201-2700	T-Bar Spring	58	206-6900	Gasket—Cover

# WIRING DIAGRAM

