

MODEL 35N

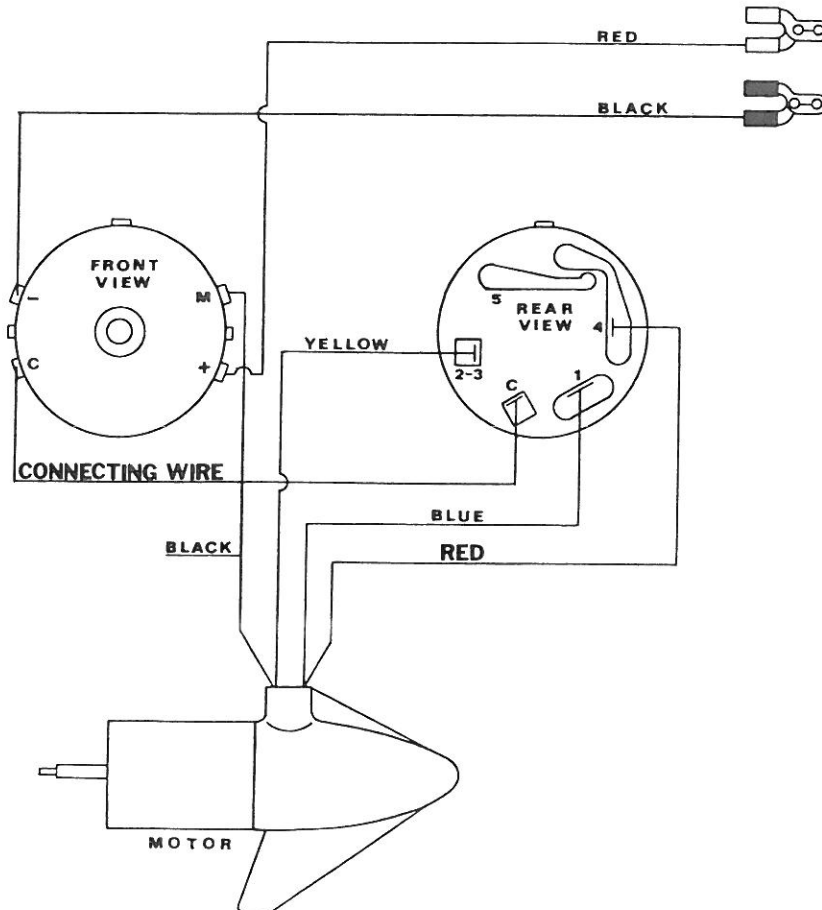
REPLACEMENT PARTS

In the U.S.A., replacement parts may be ordered from the Minn Kota Parts Dept., Johnson Fishing, Inc., 1531 Madison Ave., Mankato, MN 56001. In Canada, parts may be ordered from any of the Canadian Authorized Service Centers shown on the enclosed list. Be sure to provide the MODEL and SERIAL numbers of your motor when ordering parts and please use the correct Part Numbers from the Parts List. Payment for parts ordered from the Minn Kota Parts Dept. may be by cash, check, Mastercard, Visa card, or UPS C.O.D. Please add \$3.00 for postage and handling on all orders. Minimum charge \$3.00.

Item No.	Part No.	Description	Item No.	Part No.	Description	Item No.	Part No.	Description
1	401-022	Front End Bell	23	203-1130	Propeller	38	203-1831	Hinge
2	401-241	Speed Coil Assembly	24	201-1720	Lock Washer	39	201-1385	Tension Screw
3	401-403	Brush Plate Assembly	25	203-3110	Prop Nut	40	203-2800	Tension Block
4	401-081	Brush Spring (2 req'd.)	26	203-9050	Motor Assembly Complete	41	203-1520	Collar
5	401-071	Brush Assembly (2 req'd.)	26A	206-6643	Motor Decal (2 req'd.)	42	201-1365	Screw-Collar
6	401-341	Brush Plate Screw (2 req'd.)	28	203-2051	Tube (30") (std.)	43	202-0600	Leadwire
7	401-090	Brush Holder	28A	203-2052	Tube (36") (optional)	44	206-2540	Control Box
8	401-203	Armature Assembly	28B	203-2053	Tube (42") (optional)	45	206-6930	Gasket
9	401-300	E-Ring	29	299-1800	Hinge & Bracket Assembly (Includes #29A, 30, 34-39)	46	206-0251	Control Box Cover
11	401-170	Thrust Washer-Steel	29A	277-1907	Bracket Assembly (Includes #29B, 31-33)	47	203-5685	Decal-Cover
12	401-171	Thrust Washer-Nylatron				48	203-4020	Switch
13	401-481	Gasket				49	202-0310	Connecting Wire
14	401-251	Center Section w/magnets	*29B	203-1910	Bracket (order item #29A)	50	203-3400	Screw
15	401-460	O-Ring	30	201-0511	Hinge Pin	51	201-3110	Nut
16	401-000	Flange Bearing	31	201-1375	Clamp Screw (2 req'd.)	52	201-2100	Screw (6 req'd.)
17	401-032	Rear End Bell	32	201-1710	Clamp Washer (2 req'd.)	53	203-0991	Handle Assembly
18	401-461	Seal	33	201-3010	Retaining Ring (2 req'd.)	55	201-0030	Bearing-Handle Cap
19	401-471	Seal (cup)	34	203-3602	T-Bar	56	201-0011	Handle Bearing-Outer
20	401-462	O-Ring Thru Bolt (2 req'd.)	35	201-2700	T-Bar Spring	57	201-0000	Handle Bearing-Inner
21	401-352	Thru Bolt (2 req'd.)	36	201-3000	E-Ring	58	201-0700	Battery Clips
22	208-2600	Drive Pin	37	201-0110	Tilt Knob	59	203-7300	Bushing (2 req'd.)

*This item is part of an assembly. This item cannot be sold separately due to machining and/or assembly that is required.

WIRING DIAGRAM



PARTS DIAGRAM

